



5-year warranty



## Type overview

|             |           |
|-------------|-----------|
| <b>Type</b> | <b>DN</b> |
| G215S-C     | 15        |

## Technical data

|                           |                                       |   |
|---------------------------|---------------------------------------|---|
| <b>Functional data</b>    | Valve Size                            | 0.5" [15]                                     |
|                           | Fluid                                 | chilled or hot water, up to 60% glycol, steam |
|                           | Fluid Temp Range (water)              | 20...338°F [-7...170°C]                       |
|                           | Fluid Temp Range (steam)              | 32...338°F [0...170°C]                        |
|                           | Body Pressure Rating                  | ANSI Class 250, up to 400 psi below 150°F     |
|                           | Flow characteristic                   | modified equal percentage                     |
|                           | Servicing                             | repack kits available                         |
|                           | Rangeability Sv                       | 100:1   |
|                           | Maximum differential pressure (water) | 50 psi [345 kPa]                              |
|                           | Max Differential Pressure (Steam)     | 50 psi [345 kPa]                              |
|                           | Flow Pattern                          | 2-way   |
|                           | Leakage rate                          | ANSI Class VI                                 |
|                           | Controllable flow range               | stem up - open A – AB                         |
|                           | Cv                                    | 0.4   |
|                           | Maximum Inlet Pressure (Steam)        | 100 psi [690 kPa]                             |
| <b>Materials</b>          | Valve body                            | Bronze  |
|                           | Valve plug                            | Stainless steel AISI 316                      |
|                           | Spindle                               | 316 stainless steel                           |
|                           | Spindle seal                          | EPDM O-ring                                   |
|                           | Seat                                  | Stainless steel AISI 316                      |
|                           | Pipe connection                       | NPT female ends                               |
| <b>Suitable actuators</b> | Non-Spring                            | LVB(X)  |
|                           | Spring                                | LF  |
|                           | Electrical fail-safe                  | LVKB(X)                                       |

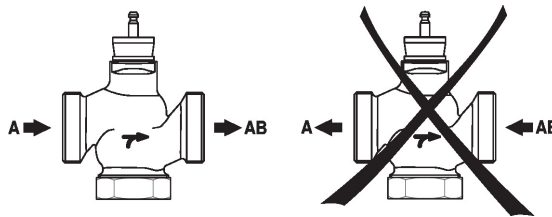
Safety notes



- **WARNING:** This product can expose you to lead which is known to the State of California to cause cancer and reproductive harm. For more information go to [www.p65warnings.ca.gov](http://www.p65warnings.ca.gov)
- The valve has been designed for use in stationary heating, ventilation and air-conditioning systems and must not be used outside the specified field of application, especially in aircraft or in any other airborne means of transport.
- Only authorized specialists may carry out installation. All applicable legal or institutional installation regulations must be complied during installation.
- The valve does not contain any parts that can be replaced or repaired by the user.
- When determining the flow rate characteristic of controlled devices, the recognised directives must be observed.

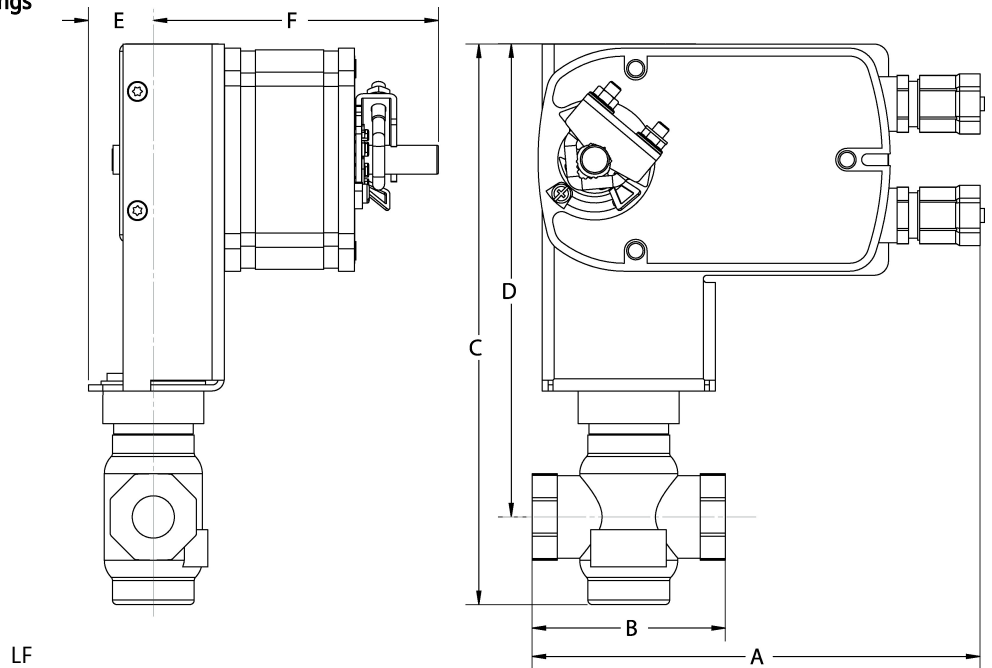
Installation notes

**Flow direction** The direction of flow, specified by an arrow on the housing, is to be complied with, since otherwise the valve could become damaged.



Dimensions

Dimensional drawings



Type

DN

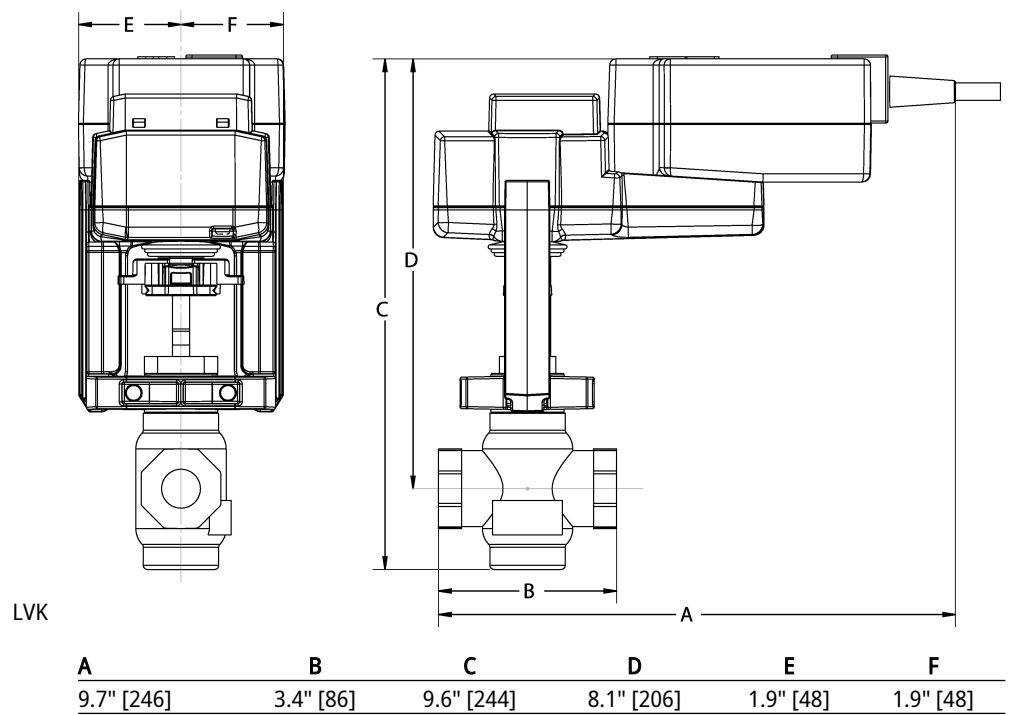
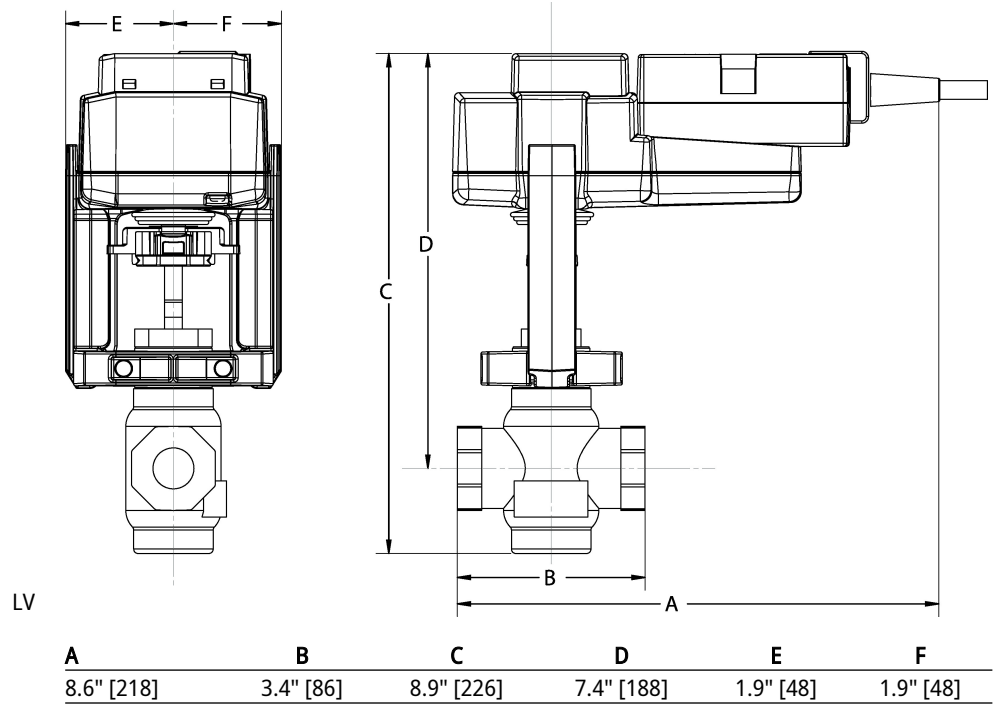
Weight [kg]  
[kg]

G215S-C

15

1.0

| A          | B         | C          | D          | E         | F          |
|------------|-----------|------------|------------|-----------|------------|
| 7.9" [200] | 3.4" [86] | 9.7" [247] | 8.2" [208] | 1.2" [30] | 4.9" [125] |





5-year warranty



Technical data

|                        |                                    |   |
|------------------------|------------------------------------|---|
| <b>Electrical data</b> | Nominal voltage                    | AC/DC 24 V  |
|                        | Nominal voltage frequency          | 50/60 Hz  |
|                        | Power consumption in operation     | 1 W   |
|                        | Power consumption in rest position | 0.5 W   |
|                        | Transformer sizing                 | 2 VA (class 2 power source)   |
|                        | Electrical Connection              | 18 GA plenum cable, 3 ft [1 m], with 1/2" conduit connector, degree of protection NEMA 2 / IP54 |
|                        | Overload Protection                | electronic throughout full stroke   |
|                        | Electrical Protection              | actuators are double insulated  |
| <b>Functional data</b> | Actuating force motor              | 500 N [115 lbf]   |
|                        | Operating range Y                  | 2...10 V  |
|                        | Operating range Y note             | 4...20 mA w/ ZG-R01 (500 Ω, 1/4 W resistor)   |
|                        | Input Impedance                    | 100 kΩ for 2...10 V (0.1 mA), 500 Ω for 4...20 mA   |
|                        | Position feedback U                | 2...10 V  |
|                        | Position feedback U note           | Max. 0.5 mA   |
|                        | Direction of motion motor          | selectable with switch 0/1  |
|                        | Manual override                    | 4 mm hex crank (shipped w/actuator)   |
|                        | Stroke                             | 0.75" [19 mm]   |
|                        | Running Time (Motor)               | default 90 s, variable  |
|                        | Noise level, motor                 | 55 dB(A)  |
|                        | Position indication                | Mechanically, with pointer  |
| <b>Safety data</b>     | Degree of protection IEC/EN        | IP54  |
|                        | Degree of protection NEMA/UL       | NEMA 2  |
|                        | Enclosure                          | UL Enclosure Type 2   |
|                        | Agency Listing                     | cULus acc. to UL60730-1A/-2-14, CAN/CSA E60730-1:02, CE acc. to 2014/30/EU and 2014/35/EU       |
|                        | Quality Standard                   | ISO 9001  |
|                        | Ambient temperature                | -22...122°F [-30...50°C]  |
|                        | Storage temperature                | -40...176°F [-40...80°C]  |
|                        | Ambient humidity                   | Max. 95% RH, non-condensing   |
|                        | Servicing                          | maintenance-free  |
|                        | <b>Weight</b>                      | Weight  |
| <b>Materials</b>       | Housing material                   | Die cast aluminium and plastic casing   |

Accessories

| Electrical accessories | Description                                   | Type   |
|------------------------|---|--------|
|                        | Auxiliary switch 2 x SPDT for NG GV Actuators | S2A-GV |

